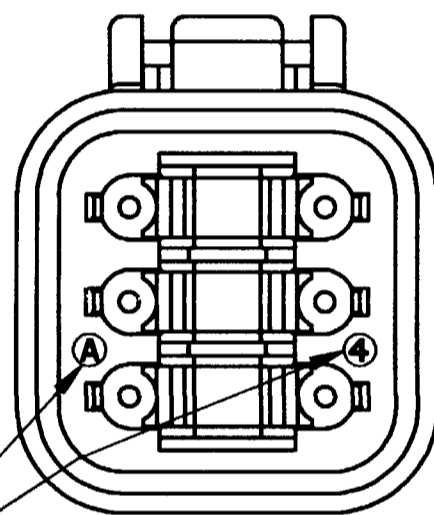
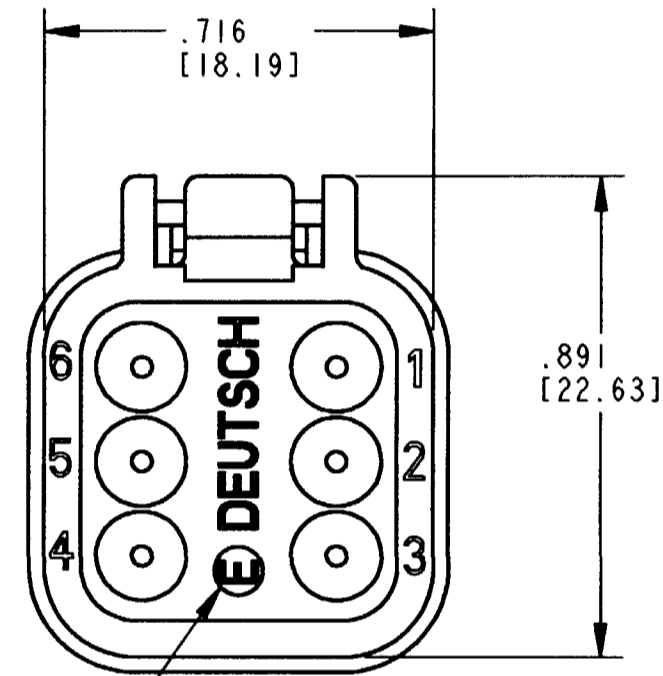
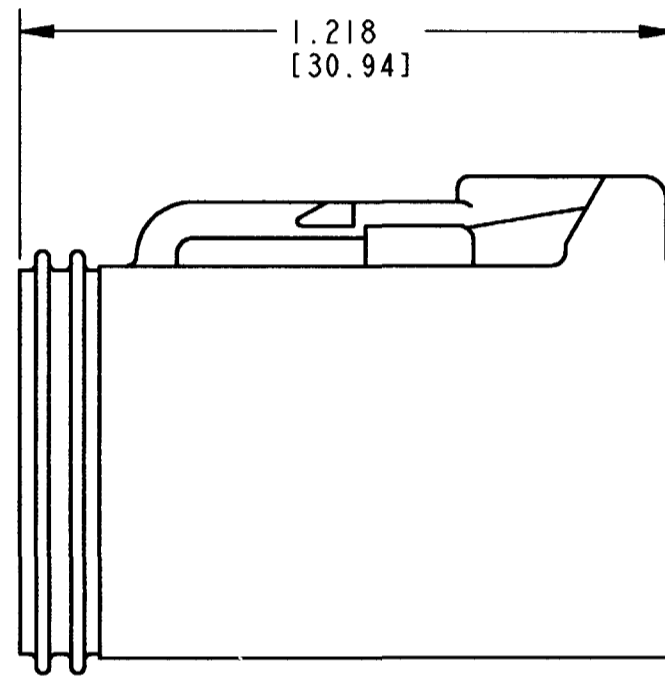


REV  
NC DT06-6S-CE02

REVISIONS			
SYM	DESCRIPTION	DATE	APPROVED
NC	NEW RELEASE PER E.O. PI8737	11-12-04	RDR



DATE CODE: YEAR TO BE REPRESENTED BY LAST NUMERICAL DIGIT. EX: 4 = 2004. MONTH USES SEQUENTIAL ALPHA CHARACTERS. EX: A = JANUARY.



-E- SYMBOL DESIGNATES REDUCED WIRE SEAL

- 5. SHELL MATERIAL: PLASTIC  
SEAL MATERIAL: RUBBER
- 4. THIS PLUG MATES WITH DT06-6P-\*\*\*\* (\*\*\*\* = ALL MODIFICATION)  
CONSULT FACTORY FOR MODIFICATIONS.

3 FOR CONTACTS AND WIRE PERFORMANCE AND APPLICATION CHARACTERISTICS.  
SEE ENVELOPE DRAWING 0425-015-0000 AND 0425-017-0000.

2. ALL DIMENSIONS ARE ±.025 [0.64] UNLESS OTHERWISE SPECIFIED.

NOTES: 1. ALL DIMENSIONS ARE IN INCHES [MILLIMETERS].

CONTACT SIZE	MIN. INSUL. O.D.	MAX. INSUL. O.D.	WIRE RANGE [mm <sup>2</sup> ] REF ONLY
16	.053 [1.35]	.120 [3.05]	14-20 AWG [2.0-0.5]

SIGNATURE & DATE		<b>6 WAY PLUG WITH REDUCED WIRE SEAL -CE02 MOD. COLOR: BLACK D.T. SERIES</b>	CP	MATL. CODE
DR	X. SANCHEZ 05NOV04		<b>The Deutsch Company</b> DEUTSCH I.P.D. 3850 INDUSTRIAL AVE. HEMET, CALIF. 92545	
CHK	R. MORGAN 11/12/04		<b>B DT06-6S-CE02</b>	
PE	John Glom 11/16/04		DWG SIZE	CODE 11139
APPD	S. Beard 11-10-04	ENVELOPE		
SCALE	NONE	WT		